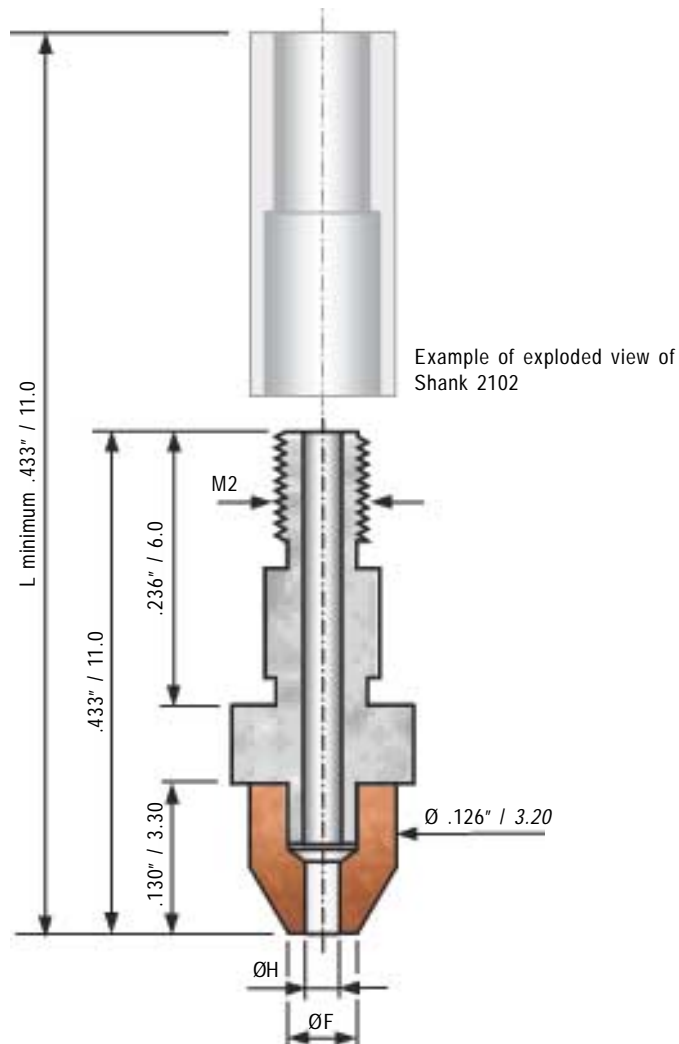


2151-CT : THREADED REPLACEABLE CONICAL TIP

Aside from our Replaceable Plastic Conical Tip (RPCT), we also offer the common threaded type replaceable tip in 2 piece construction. This is an option for smaller tip size requirement since the smallest tip size available for standard RPCT is only $.030'' / 0.76mm$. The tip can also be made from our available range of plastic material (See page 5). The design is adaptable to most shank styles.



How To Order					
TIP ONLY		Tip Configuration	- Mat'l	- Tip Style	- Dimensions $\text{ØF} - \text{ØH}$
	EXAMPLE :	2151	- TOR	- CT	.020 - .010
SHANK ONLY		Shank Style & Length	- Insert Type		
	EXAMPLE :	GS	- 2151 Shank		
		2102 - .550	- 2151 Shank		