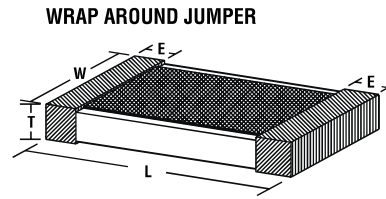
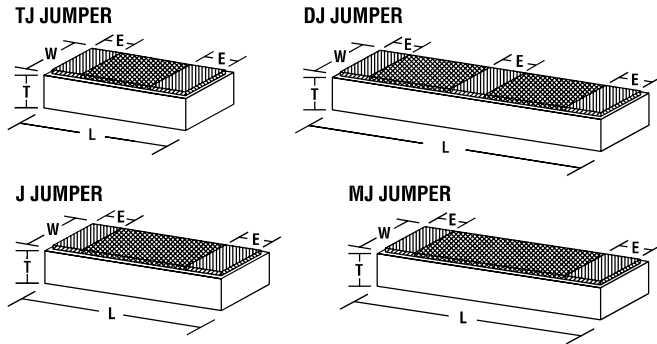


Thick Film Jumpers



These glass insulated, "0-Ohm", gold jumpers are ideally suited for providing interconnections and wiring crossovers in the fabrication of "chip and wire" type microelectronic modules. These jumpers allow for prototype and small quantity circuitry layouts without the need for special conductor patterns.



Top Contact Series

- Substrate:** 96% Alumina
Other substrate materials available upon request
- Metallization:** Gold; 11 Microns Nominal; *Solder Optional*
- Insulation:** Glass, 10 Microns Nominal
- Maximum Current:** 1.5 Amps

PART NUMBER DESIGNATION

EXAMPLE: TJ-JUMPER

0.045" X 0.017" X 0.011", Jumper, 0.020Ω Max Resistance

Style: TJ TJ, J, MJ, DJ
JUMPER

Style	Length Inches	Width Inches	Thick Inches	Pad		Resistance Max
				Width Inches	Tolerance Inches	
TJ	0.045	0.017	0.011	0.010	±0.002	0.020 Ω
J	0.065	0.017	0.011	0.010	±0.002	0.025 Ω
MJ	0.100	0.017	0.011	0.015	±0.002	0.040 Ω
DJ	0.130	0.017	0.011	0.015 ¹	±0.002	0.050 Ω

Custom sizes available
1. Center pad .010"

Wrap Around Series

- Substrate:** 96% Alumina
Other substrate materials available upon request
- Metallization:** Palladium Silver, Platinum Gold.
Untinned or solder over nickel barrier optional.
- Insulation:** Glass
- Maximum Current:** 1.5 Amps
- Maximum Resistance:** 0.100 Ω *Values to 0.01 Ω available. Contact sales. Values dependant on mounting method*

Custom sizes available

PART NUMBER DESIGNATION

EXAMPLE: WAJ81PG-NS62TR

0.055" X 0.025" X 0.017", Pt Gold Term., Ni Barrier, Sn62 Solder, Tape & Reel

Style: WAJ WAJ = Wrap Around Jumper
Please reference WA & MSR Series

Type: 81 See list below

Termination Material: PG PG = Platinum Gold
PS = Palladium Silver
Base Metal

Metal/Solder Options: NS62 NS62 = Nickel, Sn62
NU = Nickel, Gold Plate
S62 = Sn62
U = Untinned *No Solder*

Option: TR X = Special requirements
available from sales agent
TR = Tape & Reel
Packaged in bulk if not specified

All MSR and WA series resistors are available as jumpers