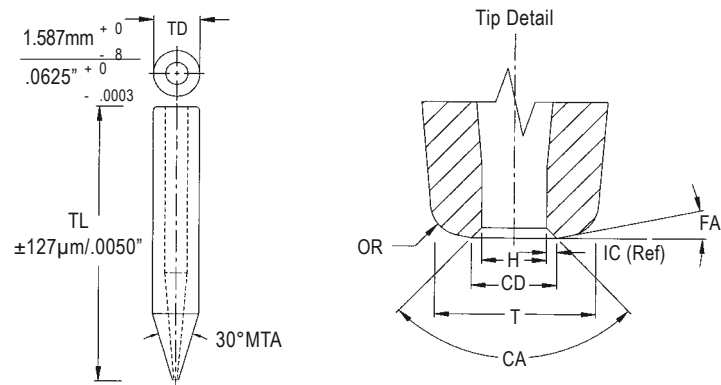


HOW TO ORDER



SBB - **35** **130** - **55** **8** **A** - **Z** **P** **3** **4**

Capillary Series

- SBB : STUD BALL BUMPING

Hole Size

Tip Diameter

Chamfer Diameter

Chamfer Angle

- 90 deg : 5
- 120 deg: 8

Face Angle

- 0 deg : A

Material

- Z: Zirconia composite
- C: High Density Ceramic

Finishing

- Matte: M
- Polish: P

Length

- L: 1
- XL: 3
- XXL: 5
- 16mm: 7
- 19mm: 9

Main Taper Angle

- 20 deg: 4
- 30 deg: 6