

**UV PROCESS SUPPLY, INC.**  
**UV SENSOR: SEMI-CONDUCTOR G3614 SERIES**  
**PART # M007-048**

---

The G3614 series is a semiconductor UV sensor combining a GaAsP photodiode chip and a UV filter. Compared to the conventional UV sensors, the G3614 series offers much more miniature packages. This allows compactness and high volume production of the measurement system. The newly developed G3614-01 is well suited for the detection of solar UV radiation UV-B which is harmful to the human body. Special requirements regarding packaging and peripheral circuit assembly are welcomed. A variant type with sensitivity to UVA (320 to 400 nm) is under development.

**FEATURES**

- Ultra-small UV Sensors with sensitivity only in the UV region
- Two choice of spectral response range: 260 - 320nm or 260 - 400nm
- Only sensitive to UV radiation
- Spectral response matches solar UV spectrum
- Ultra-small and thin package

**APPLICATIONS**

- Measurement of solar UV radiations
- Monitoring of high-pressure mercury lamps

**HANDLING REQUIREMENTS**

- Light other than UV radiation may transmit through the side of the UV sensor
- Provide light-shield around the side
- Avoid using the UV sensor a high degree of humidity
- The UV sensor should be soldered a 260°C or below within 5 seconds

**24-HOUR PRODUCT SERVICES**

Internet: [www.uvprocess.com](http://www.uvprocess.com)

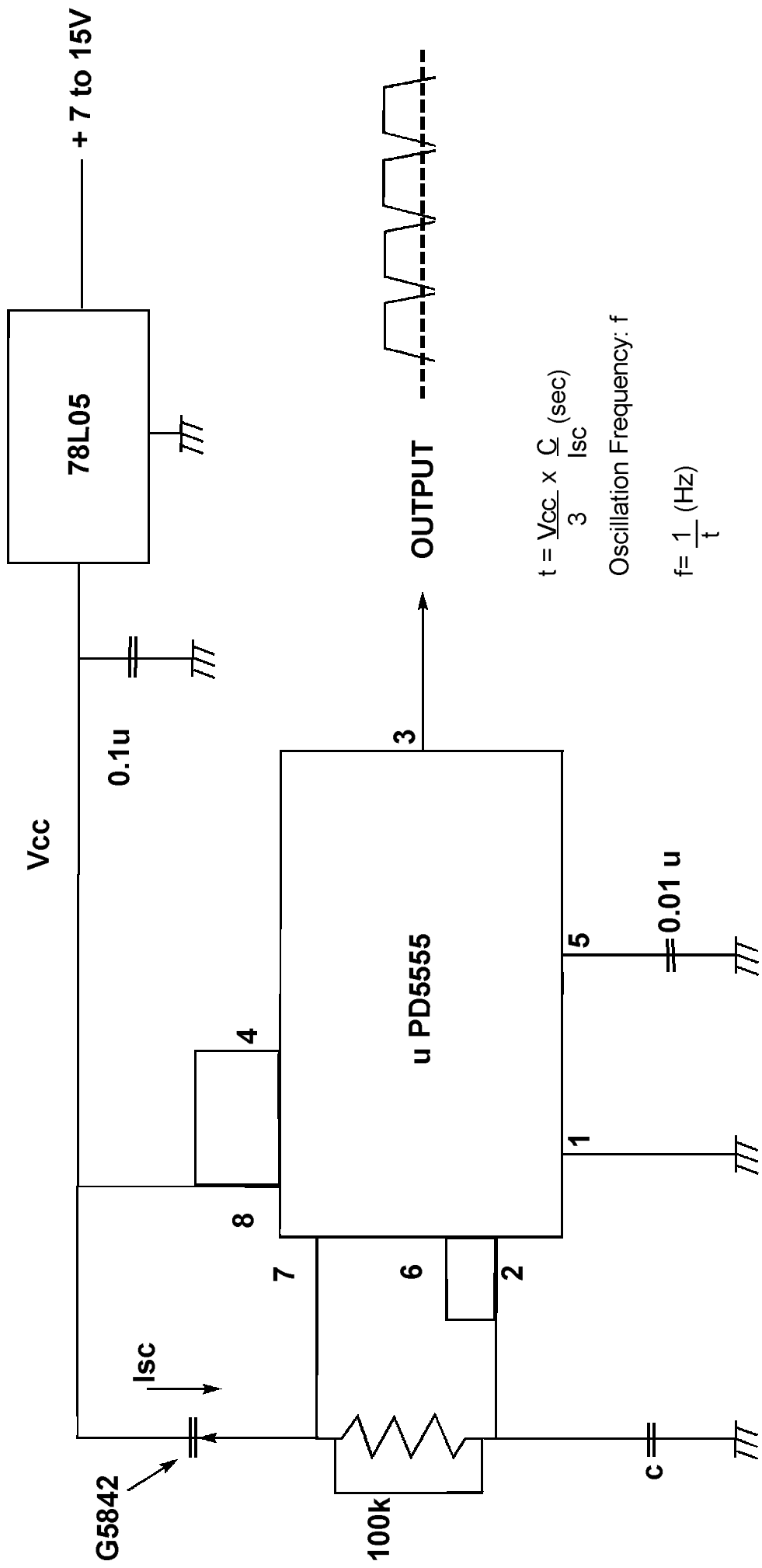
E-mail: [info@uvps.com](mailto:info@uvps.com)

UV Faxts®...Service: 1-773-880-6649

  
**UV PROCESS SUPPLY, INC.**

# Application Circuit Example

(Light to Frequency Conversion Circuit)



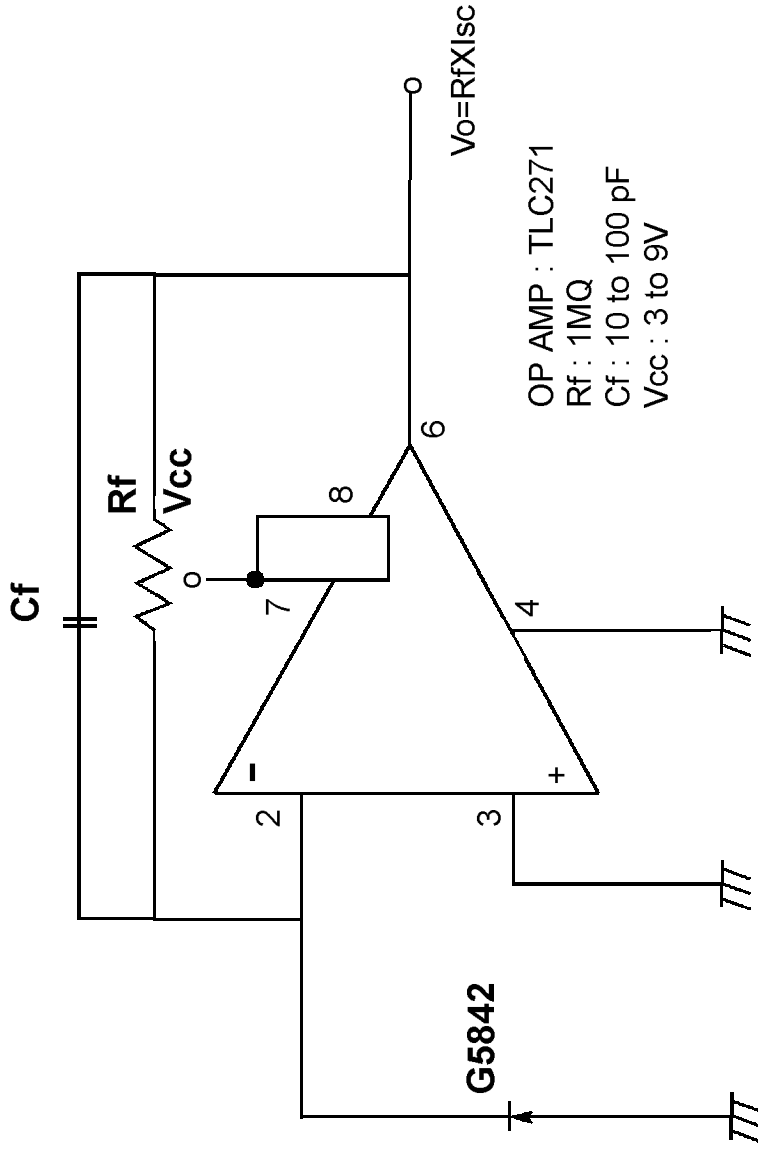
$$t = \frac{V_{cc} \times C}{3 I_{sc}} \text{ (sec)}$$

Oscillation Frequency: f

$$f = \frac{1}{t} \text{ (Hz)}$$



# Operating Circuit Example



**UVPS**  
UV PROCESS SUPPLY, INC.